

GSM REMOTE CONTROL

The GSM-AUTO is a wireless gsm remote control switch that connects to the GSM cell phone network.

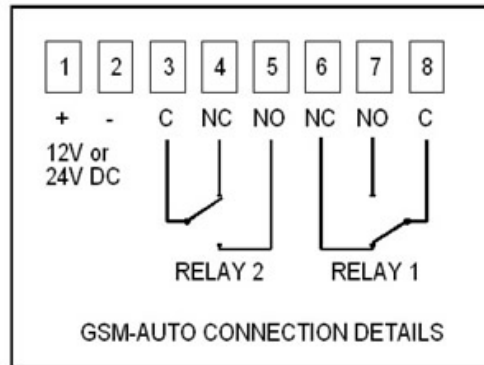
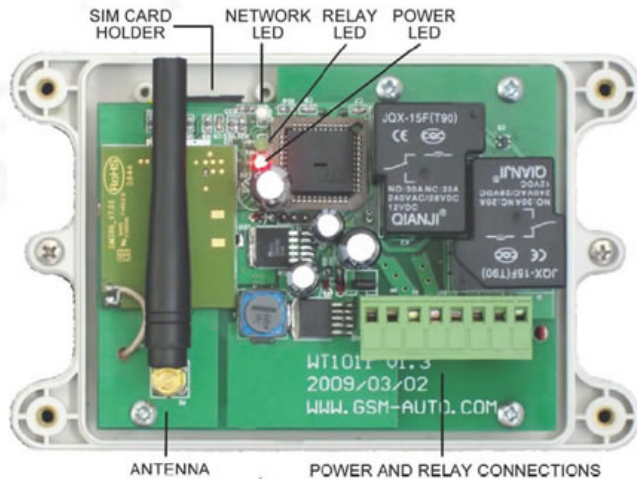
It is activated by calling its cell phone number, it will reject the call without answering and switch on the device connected to it



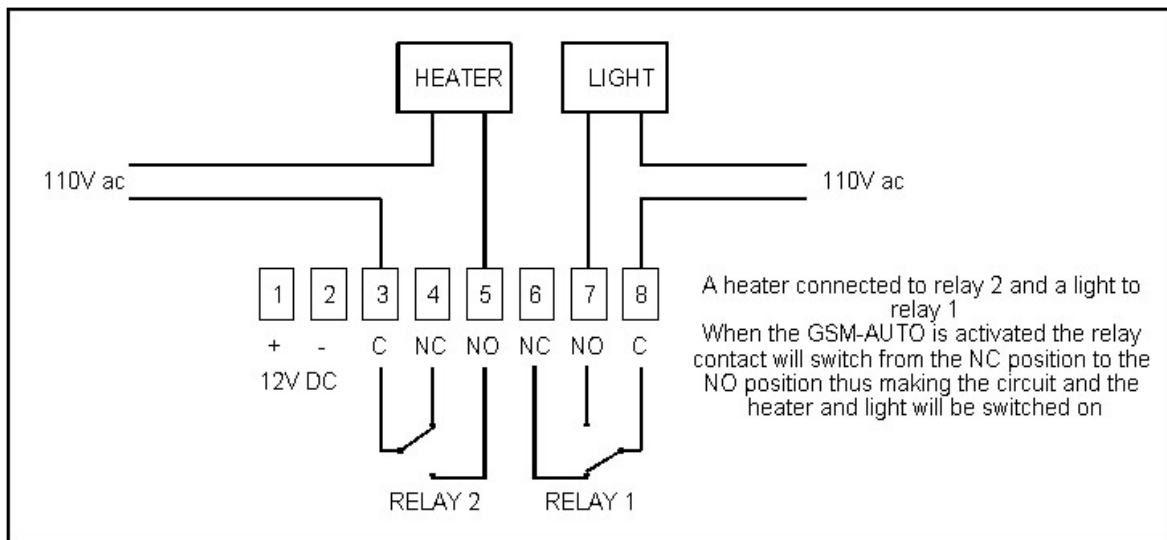
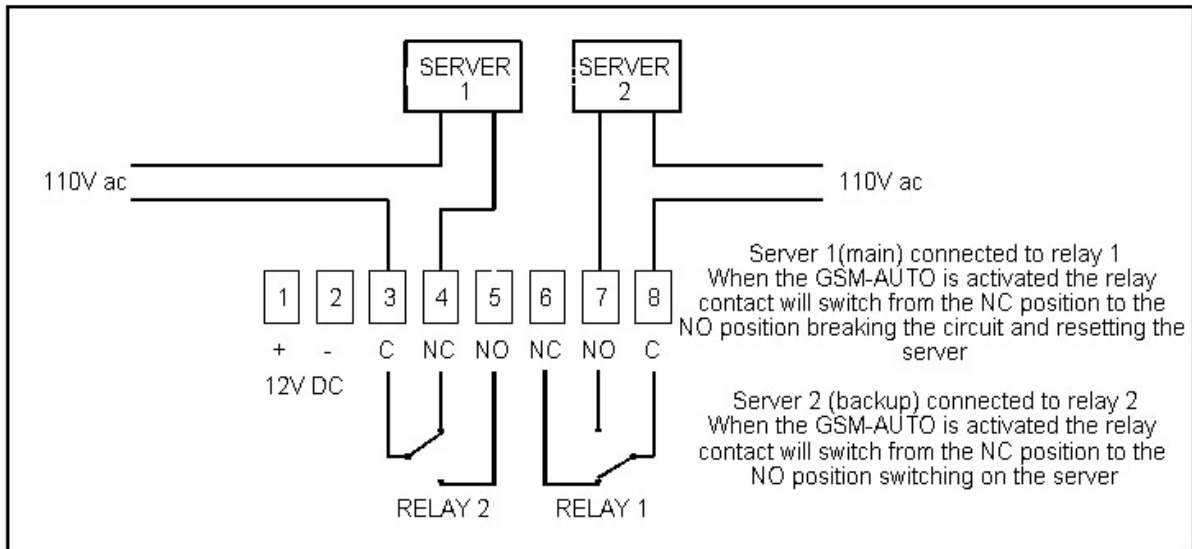
GSM-AUTO FEATURES

- Quad band - will work anywhere in the world
- Secure caller ID allows controlled access of up to 99 authorized users, the users telephone numbers are added to the white list, only the numbers in the white list are able to activate the GSM-AUTO, users can be added and deleted as required using text messages
- There are no call costs incurred when calling the unit, it will recognise an authorized telephone number calling it and reject the call without answering
- The GSM-AUTO has two independent relays with normally open and normally closed contacts, these can be programmed to switch on for between 1 second and 18 hours, in addition a delay time between relay 1 and 2 switching can be set, programming is achieved by sending text messages to the GSM-AUTO, once programmed you simply call the unit to activate the relay operations already programmed
- The programmed operation can be temporarily overridden and the relays switched on for up to 18 hours by sending the unit a text message command, a confirmation text will be returned when the relay(s) is switched on and another when it is switched off
- The relays can be permanently switched on or off by sending the GSM-AUTO a text message, again a confirmation text will be returned
- An on board clock and 24 hour timer with 8 time segments for each relay enables the relays to be switched on and off for a set time, for example relay 1 switches on at 0600 (6am) and off at 1900 (7pm), once set the timer function repeats every day until reset. The caller ID and override functions are disabled when the 24 hour timer is active.

CONNECTION DETAILS



EXAMPLE CONNECTIONS



GSM-AUTO SPECIFICATIONS

Power supply	12 or 24V DC
Power consumption	Maximum during communication 500mA, typically 50mA
Relay contacts	2 x 230V @ 30 Amp, Normally Open and Normally Closed contacts (Form C), switching capacity 2.5Kw
GSM Bands	GSM-850, GSM-900, GSM-1800, GSM-1900
Operating temperature	-20°C to 55°C
Physical size	130 x 100 x 50 mm, 5 x 4 x 2 inches
Weight	250 grams
Protection	IP 65
Approvals	CE (UL pending)

SMS TEXT COMMANDS

Password #PWDXXXXXX (6 digits) This command must always pre-fix any SMS text commands sent to the unit.

Only use the LAST 8 digits of the telephone numbers to be entered

FUNCTION	COMMAND	FORMAT	NOTE
Changing the Password	#CAP	#PWD123456#CAP121212#CAP121212 Current password > new password twice	
White List	#WHL	#WHL01=27829595 Position > telephone number (last 8 digits)	Up to 99 numbers
Security Access Mode	#ACM	#ACM2 #ACM0 On > Off	
Administrator List	#TEL	#TEL1=827829595 Position > telephone number (last 8 digits)	Up to 8 numbers
Check signal strength	#CSQ	#CSQ?	0 – 31, minimum 5 required
Relay ON time	#GOT	#GOT1=00900 1=RLY1, 2=RLY2 > time in seconds, 5 digits	Maximum 65,535 seconds
Delay time between Relay 1 switching off and Relay 2 switching on	#GOTS	#GOTS=00005 time in seconds, 5 digits	
Temporary latching of output relays	#RLY	#RLY1=00060 1=RLY1, 2= RLY2 > time in seconds, 5 digits	Maximum 65,000 seconds
Switching Relay 1 and Relay 2 permanently on and off	#RLOP	#RLOP1=1 1=RLY1, 2=RLY2 > 1=ON, 0=OFF	
Setting the time	#TSET	#TSET=SS,MM,HH; SS=Seconds, MM=Minutes, HH=Hours all 2 digit values	24 Hour format
Relay 24 hour timers	#SMW	#SMW=SS,MM,HH,TTTTT,F,R; SS=Seconds, MM=Minutes, HH=Hours, TTTTT=Relay on time in seconds (5 digits), F= time Section number 1 – 8, R= Relay number 1 or 2	
Resetting the unit	#REST#121212	#REST#121212 Reset to factory default settings including password	